

Product Information

Straight from our Research & Development Team

This remarkable cast iron stove comes in four designer colours that will look great in any home or cottage. The built-in secondary heat exchanger provides excellent heating efficiency and heat retention. Other features include a cost saving electronic ignition with battery back-up, 50% flame/

heat adjustment, ceramic glass, standard on/off switch and an exclusive NIGHT LIGHT™ which creates a warm glow even when the stove is not operating.

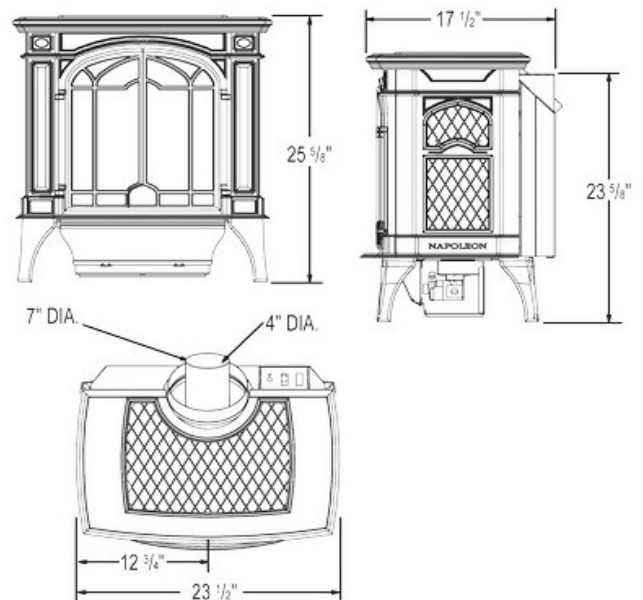
PRODUCT FEATURES

- Up to 24,500 BTU's in natural gas or propane and a 50% flame/heat adjustment
- PHAZERAMIC™ burner technology featuring a randomly flickering flame and realistic glowing ember bed
- Realistic, ceramic fibre, light-weight molded PHAZER® log set for a natural wood burning look
- An industry first – glowing NIGHT LIGHT™
- Stunning double webbed arched doors which are fully operable, opening wide to the sides
- Porcelain enamel finishes in Summer Moss, Winter Frost and Majolica Brown
- Painted finishes available in traditional painted black
- Compact, easily accessible and user-friendly controls
- Equipped with our 100% SAFE GUARD™ gas control system and convenient electronic ignition
- Heat transferring, high heat ceramic glass
- President's Limited Lifetime Warranty
- Optional blower kit with variable speed and thermostatic control



PRODUCT SPECIFICATIONS

Specifications	GDS25
Fuel	Natural Gas or Propane
BTU Input	24,500
Efficiencies (Steady State)	80%
Efficiencies (AFUE)	64%
Glass Type	Ceramic
Mobile Home Approved	Yes
Additional Information	
<ul style="list-style-type: none"> • Installs safely on any floor, but not directly on carpet • Vents up to 20ft horizontally and 40 ft vertically • Direct vent model requires no chimney, it vents conveniently through a wall or roof and uses outside air for combustion • Approved for bathroom, bedroom, bed-sitting room and basement installations • Suitable for mobile home installation 	
TESTED TO ANSI Z21.88 and CSA 2.33	
VENTED GAS FIREPLACE HEATERS	



DECORATIVE FINISHES



Painted Black Finish



**Porcelain Enamel
Majolica Brown Finish**



**Porcelain Enamel
Summer Moss Finish**



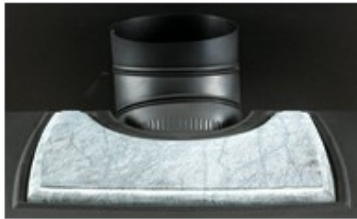
Winter Frost Finish



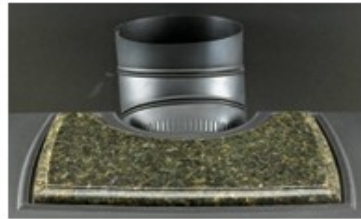
**Decorative Sandstone
Brick Panel**



**MIRRO-FLAME™
Porcelain Reflective
Radiant Panel**



Lorena Slate Inset



Ubatuba Green Inset



Giallo Golden Brown Inset



Built-in NIGHT LIGHT™



Decorative Screen



F45 & F60 Remote Controls